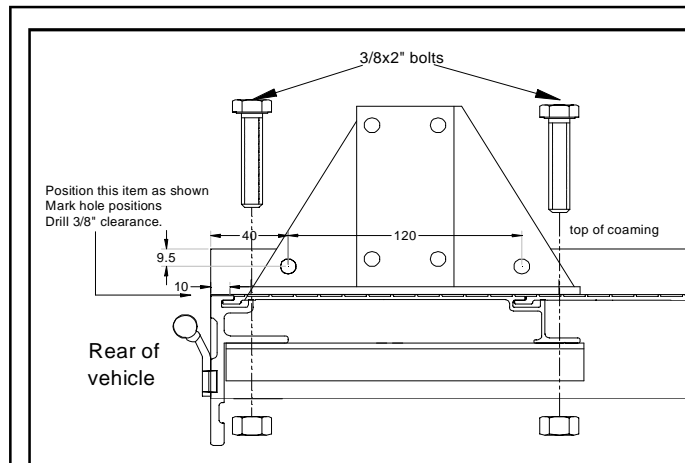
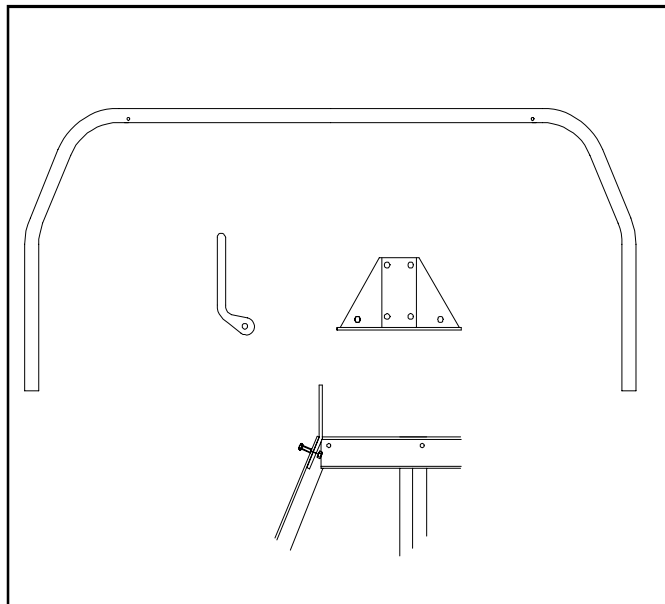


**Important:** Unpack the fitting kit and ensure that all the components are included (refer to parts list and drawings). Read instructions carefully and fully before fitting.

**Part List**

Item	Component Name	Qty
	Ladder rack bow	1
<b>Rack Bolt Bag</b>		
	M8 x 50 bolt	4
	M8 x 60 bolt	2
	M10 x 25 bolt	2
	M10 x 50 bolt	4
	M12 x 40 bolt	2
	M8 nyloc nuts	6
	M10 nyloc nuts	6
	2.4mm plates	2
	Headboard ear	2
	Socket bushes	4
	LH socket	1
	RH socket	1
	Rack ear	2

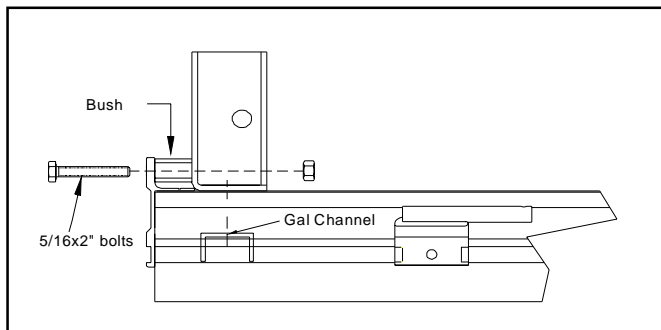


**Diagram (1):** LH ladder rack socket positioning, including dimensions and plate positioning.

1. As illustrated in Fig.1, measure in 40mm from the end of the deck and mark the outside of the side coaming.
  - 1.1 From that mark measure in a further 120mm and mark. Refer to diagram 1.
  - 1.2 Measure down from the top of the side coaming 9.5mm and mark points over the two previous marks.
  - 1.3 Drill holes using a 8mm drill bit.
- 2 Place the sockets on the floor of the tray, placing the bushes between the coaming and the sockets as per diagram 2.
  - 2.1 Insert M8 x 50 bolts and lightly secure.
- 3 Drill through the two holes in the base plate of the sockets through the floor using a 10mm drill bit.
  - 3.1 Place the galvanised channel underneath the floor of the tray and insert M10 x 50 bolt and secure with nyloc nuts.
  - 3.2 When sockets are seated on the deck and the channel is fastened with bolts tighten all nuts. Refer Fig.2.

**Tools Required:**  
 Electric drill with 8mm and 10mm drill bits  
 8mm and 10mm socket  
 12mm to 19mm spanner

These fitting instructions are to be placed in the vehicle's glovebox after the ladder rack has been installed.



**Diagram (2):** End view of LH rack socket and side coaming positioning.

- 4 Position the headboard ears on the inside of the outer uprights (corner T's).
- 4.1 Fix using M10 x 25 bolt and nyloc nuts through the pre-punched holes.
- 4.2 Position rack ears over pre-punched holes in rack bow.
- 4.3 Secure using M8 x 60 bolts and nyloc nuts.
- 5 Slide ladder rack bow into the sockets and secure

**Important:** Ensure ears fold in towards center of tray and are not done up too tightly.

using M12 x 40 bolts